



Z883-SVF



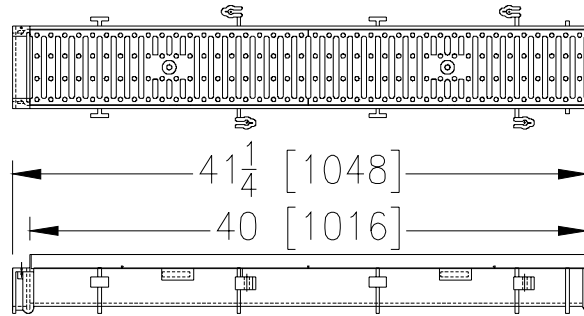
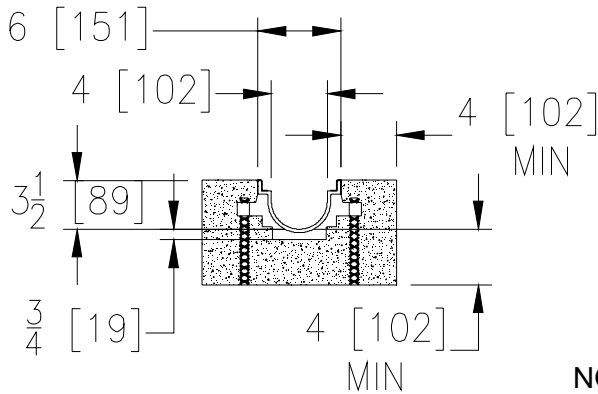
877-903-7246 www.trenchdrainsupply.com

6 [151] WIDE REVEAL TRENCH DRAIN SYSTEM WITH STAINLESS STEEL VENEER FRAME

TAG \_\_\_\_\_

Dimensional Data (inches and [ mm ]) are Subject to Manufacturing Tolerances and Change Without Notice

SPECIFYING ENGINEER IS RESPONSIBLE FOR CONCRETE ENCASEMENT AND REINFORCING BASED UPON APPLICATION AND LOCAL CODES



NOTE: + Actual Channel length is 41 1/4 [1048] to allow for overlap.

ENGINEERING SPECIFICATION: Zurn Z883-SVF Channels shall be 40 [1016] long, 6 [152] wide reveal and have a 4 [102] throat. Modular channel sections shall be made of 0% water absorbent Polypropylene. Shall have a positive mechanical connection between channel sections that will not separate during the installation and shall mechanically lock into the concrete surround a minimum of every 10 [254]. Channels shall weigh less than 2.31 lbs.[1.05kg] per linear foot, have a smooth, 2 [51] radiused self cleaning bottom with a Manning's coefficient of 0.009 and neutral 0% built in slope. Channels shall have rebar clips standard to secure trench in its final location. Shall be provided with standard FS grates that lock down to frame. Zurn 5.375 [137] wide reveal Fabricated Stainless Steel Slotted Grate conforming to ASTM specification A351, Grade CF8 (type 304), slotted grate is rated class A per the DIN EN1433 top load classification. Supplied in 20 [508] nominal lengths with 0.375 [9.5] wide slots, and 0.75 [19] bearing depth. Grate has an open area of 13.68 sq. in per ft. [28,956 sq. mm per meter]. The 20 gage Stainless Steel Veneer Frame Assembly conforms to ASTM specification A-240 (type 304). Frames Shall be produced in the U.S.A.

PREFIX OPTIONS (Check/specify appropriate options)

\_\_\_ Z Three-foot, Four-inch High Density Polyethylene (HDPE)\*

SUFFIX OPTIONS (Check/specify appropriate options)

Outlet Adapters Add/Each

\_\_\_ -E1 Closed End Cap \_\_\_ -U2 2 [51] No-Hub Bottom Outlet
\_\_\_ -E2 2 [51] No-Hub End Outlet \_\_\_ -U3 3 [76] No-Hub Bottom Outlet
\_\_\_ -U4 4 [102] No-Hub Bottom Outlet

Frame Options

\_\_\_ -SVF Type 304 Stainless Steel Top Veneer Frame\*

Grate Options (Load Classifications are per DIN EN1433)

\_\_\_ -BDC Black Acid Resistant Epoxy Coated Ductile Grate - Class B
\_\_\_ -DBG Ductile Iron Cast Bar Grate - Class B
\_\_\_ -DC Ductile Iron Solid Cover - Class B
\_\_\_ -DGC Ductile Iron Slotted Grate - Class B
\_\_\_ -GG Fiberglass Grate - Class A
\_\_\_ -HPD Heel-Proof Ductile Slotted Grate - Class B
\_\_\_ -HPP Heel-Proof Polyethylene Grate - Class A
\_\_\_ -RFS Reinforced Stainless Steel Slotted Grate - Class B
\_\_\_ -RPS Reinforced Stainless Steel Perforated Grate - Class B

Decorative Grate Options (Load Classifications are per DIN EN1433)

\_\_\_ -BCD Bronze Circular Decorative Grate - Class A
\_\_\_ -BDD Bronze Diagonal Decorative Grate - Class A
\_\_\_ -DCD Ductile Iron Circular Decorative Grate - Class C
\_\_\_ -DDD Ductile Iron Diagonal Decorative Grate - Class A
\_\_\_ -DOG Ductile Iron Decorative Grate - Class A
\_\_\_ -DWV Ductile Wave Decorative Grate - Class A
\_\_\_ -HPB Heel-Proof Bronze Slotted Grate - Class A
\_\_\_ -HPS Heel-Proof Stainless Steel Slotted Grate - Class A
\_\_\_ -SBG Stainless Steel Bar Grate - Class B
\_\_\_ -SCD Stainless Steel Circular Decorative Grate - Class B
\_\_\_ -SDD Stainless Steel Diagonal Decorative Grate - Class B
\_\_\_ -SMG Stainless Steel Mesh Grate - Class A
\_\_\_ -SOG Stainless Steel Decorative Grate - Class B

Miscellaneous Options

\_\_\_ -VP Vandal-Proof Lockdown

MADE in the U.S.A. (Load Classifications are per DIN EN1433)

\_\_\_ -AWG Aluminum Wire Grate - Class A
\_\_\_ -DGC-USA Ductile Iron Slotted Grate - Class B
\_\_\_ -FS Fabricated Stainless Steel Slotted Grate - Class A\*
\_\_\_ -GG Fiberglass Grate - Class A
\_\_\_ -PS Perforated Stainless Steel Grate - Class A
\_\_\_ -SBG-L Stainless Steel Bar Grate - Class B

Decorative MADE in the U.S.A. (Load Classifications are per DIN EN1433)

\_\_\_ -BZ Bronze Decorative Grate - Class A
\_\_\_ -NBZ Nickel Bronze Decorative Grate - Class A
\_\_\_ -PSR Perforated Stainless Steel Raised Grate - Class A
\_\_\_ -SWG Stainless Steel Wire Grate - Class A

Miscellaneous Options

\_\_\_ -DB Bottom Dome Strainer

\*REGULARLY FURNISHED UNLESS OTHERWISE SPECIFIED

REV. DATE: 11/1/10 C.N. NO. 120203
DWG. NO. 303165 PRODUCT NO. Z883-SVF

ZURN INDUSTRIES, LLC ♦ SPECIFICATION DRAINAGE OPERATION ♦ 1801 Pittsburgh Ave. ♦ Erie, PA 16514

Phone: 814455-0921 ♦ Fax: 814454-7929 ♦ World Wide Web: www.zurn.com

In Canada: ZURN INDUSTRIES LIMITED ♦ 3544 Nashua Drive ♦ Mississauga, Ontario L4V1L2 ♦ Phone: 905405-8272 Fax: 905405-1292